

**MIRO SAFE+ SWITCH H L 24**

24 VAC/DC - 3 N/O contact / 1 N/C contact

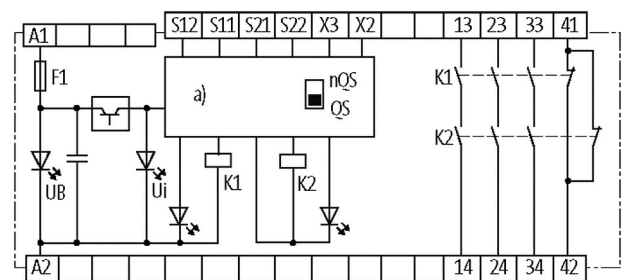
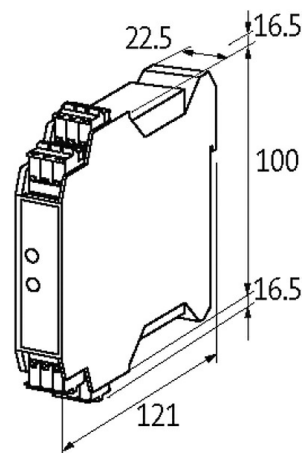
8 A

Protection-door and emergency-stop control

Light curtain control

Safety magnetic switch control

Automatic/manual/manual monitored reset/start

**Illustration**

Product may differ from Image

**Approvals**

**Input**

Input voltage	24 V DC (-15 +20%), 24 V AC (-15 +10%)
Input current	max. 4.9 VA/2.0 W

**Output**

Switching voltage	max. 250 V AC/DC
Switching current per output	max. 8 A
Total current	24 A (45 °C); 18 A (55 °C); 12 A (60 °C)
No. of auxiliary contacts	1 - (41-42)
No. of alarm outputs	0
No. of safety contacts	3 - (13-14); (23-24); (33-34)
Contact material	Ag Sn O, self cleaning, positively driven

**Utilization category**

Safety contacts (STOP 0)	max. 250 V AC/8 A; min. 10 V AC/10 mA (resist./ind.), at suitable suppression
AC-15	6 A (230 V AC) STOP0
DC-13	6 A (24 V DC) STOP0

**General data**

Mech./ elect. life	10 000 000 switching cycles/load dependent
Connection	Spring clamp plug-in terminals
Mounting method	DIN-rail mountable (EN 60715)
Dimensions H×W×D	100×22.5×121 mm
Temperature range	-25...+60 °C (storage temperature -40...+85 °C)

**Safety Indicators**

PL	up to e
Category	up to 4
DC	99%
SIL	up to 3
Service life	20 years

**Commercial data**

country of origin	DE
customs tariff number	85364900
EAN	4048879367523
eClass	27371819
Packaging unit	1